

BOREALIS® LED LIGHTING

BR30-UL FLOOD LIGHTING

EQUIVALENT TO
75W
INCANDESCENT
LAMP

The Borealis dimmable BR30 bulb offers all the energy and maintenance saving benefits of solid state lighting with an elegant design. Careful LED selection and quality control result in a light output that is both uniform and beautiful. This light provides excellent light distribution with a 120° beam angle together with up to 80% energy savings compared to its counterparts. Because of their unique solid state design, LED lights require no warm up time, are light weight and extremely durable, require virtually no maintenance, and have a long life expectancy.



APPLICATIONS

Perfect for accent and general lighting applications.

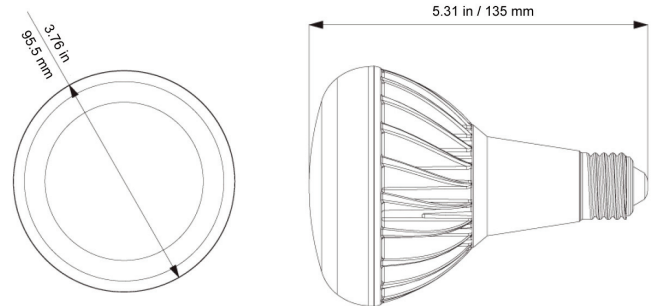


SPECIFICATIONS

Power Consumption	12W
Luminous Flux	850 lm
CCT	3000K & 4000K
CRI	>80
Efficacy	70 lm/W
Input Voltage	120V _{AC}
Input Frequency	60 Hz
Power Factor	0.95
Base	E26
Beam Angle	120°

FEATURES

- Minimum useful life - 30,000 hours at L70
- Dimmable
- No UV, Mercury or other hazardous substances
- Suitable for damp locations
- 3000K is Energy Star approved
- 3 year warranty



BOREALISSM
INNOVATIVE LED LIGHTING

by PolyBrite International, Inc.
1751 West Diehl Road, Suite 110, Naperville, IL 60563
Tel: 1.800.320.3801 | www.borealislighting.com



BR30UL.C_1501

Turning innovation into today's LED lighting